

BOULANGER, SHIRLEY L  
302 WEST GRAY ROAD  
GRAY ME 04039

B3266P115

Previous Owner  
BOULANGER, DONALD R  
BOULANGER, SHIRLEY L  
302 WEST GRAY RD  
GRAY ME 04039  
Sale Date: 4/06/2018

Property Data			Assessment Record				
Neighborhood	81 Fair-Traffic		Year	Land	Buildings	Exempt	Total
Tree Growth Year	0		2011	44,500	105,424	8,500	141,424
REVIEW	0		2012	44,500	105,424	8,500	141,424
Building Permit	0		2013	44,500	105,424	13,600	136,324
Zone/Land Use	11 Rural Residential & Agri		2014	44,500	105,424	13,600	136,324
Secondary Zone			2015	44,500	105,400	14,400	135,500
Topography	2 Rolling		2016	44,500	105,400	14,400	135,500
			2017	44,500	105,400	18,900	131,000
			2018	44,500	105,400	23,400	126,500
			2019	56,500	173,200	26,000	203,700
			2020	56,500	173,200	26,000	203,700
			2021	56,500	173,200	31,000	198,700
			2022	56,500	173,200	31,000	198,700
			2023	56,500	199,600	31,000	225,100
			Calc.	116,300	303,300	31,000	388,600

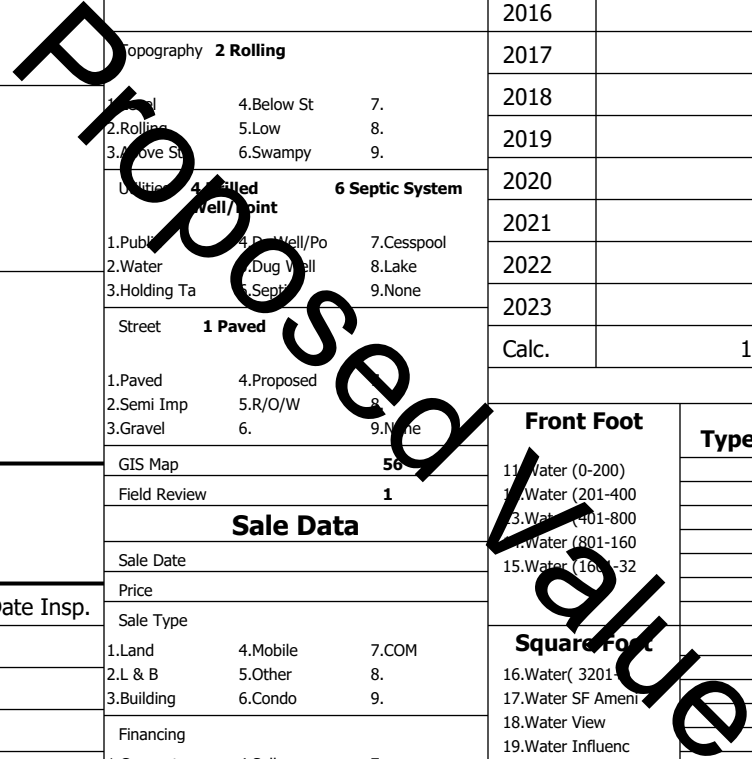
Land Data		Effective		Influence		Influence Codes
Type	Front Foot	Frontage	Depth	Factor	Code	
	11. Water (0-200)			%		1.Unimproved
	12. Water (201-400)			%		2.Excess Frtg
	13. Water (401-800)			%		3.Topography
	14. Water (801-160)			%		4.Size/Shape
	15. Water (1601-32)			%		5.Access
				%		6.Restriction
				%		7.Open Space
				%		8.Environmental
				%		9.Condo
				%		30.Blueberry(1-20
				%		31.Blueberry(21 -
				%		32.Crop Land
				%		33.Pasture
				%		34.Shorefront B
				%		35.Shorefront C
				%		36.ANTENNA SITE
				%		37.Softwood TG
				%		38.Mixed Wood TG
				%		39.Hardwood TG
				%		40.Wasteland
				%		41.Woodland
				%		42.Mobile Home Si
				%		43.Camp Site
				%		44.Lot Improvemen
				%		45.BA SF - Oce
				%		46.SP Meadow Cond
<b>Total Acreage</b>		1.50				

Inspection Witnessed By:

No./Date	Description	Date Insp.
X		

Notes:  
5/24- DR FIELD REVIEW

Gray



**Gray**

Map Lot 056-017-005-000

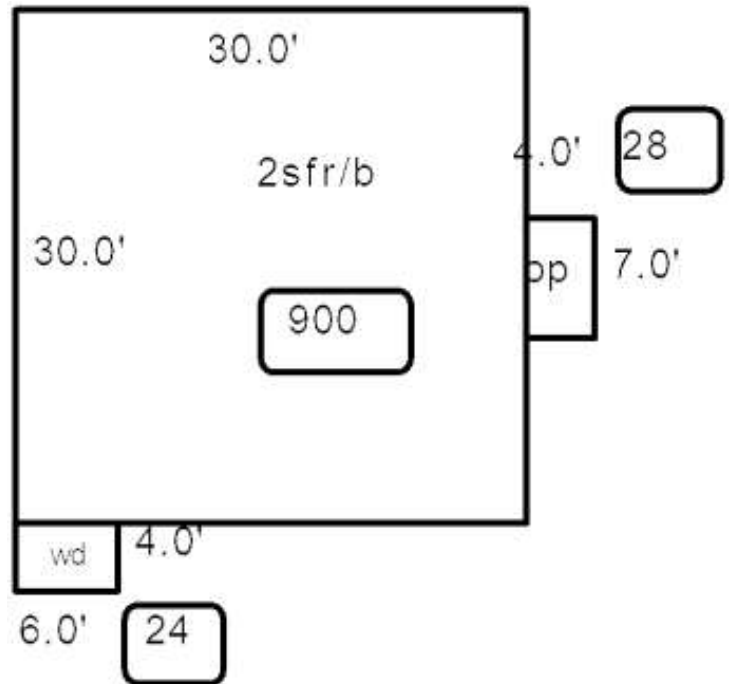
Account 764

Location 302 WEST GRAY RD

Card 1 Of 1

8/05/2024

Building Style <b>12 Gambrel</b>	SF Bsmt Living <b>0</b>	Layout <b>1 Typical</b>
1.Conv. 5.Garrison 9.NE farm	Fin Bsmt Grade <b>0 0</b>	1.Typical 4. 7.
2.Ranch 6.Split 10.Colonia	Secondary Heat <b>0</b>	2.Inadeq 5. 8.
3.R Ranch/ 7.Contemp 11.Cottage	Heat Type <b>100% 5 Forced Warm Air</b>	3. 6. 9.
4.Cape 8.Log 12.Gambrel	1.HWBB 5.FWA 9.None	Attic <b>9 None</b>
Dwelling Units <b>1</b>	2.HWCI 6.Monitor 10.UNH2F	1.1/4 Fin 4.Full Fin 7.
Other Units <b>0</b>	3.HWRF 7.Electric 11.Geother	2.1/2 Fin 5.FI/Stair 8.
Stories <b>2 Two Story</b>	4.Steam 8.FI/Wall 12.Heat/Co	3.3/4 Fin 6. 9.None
1.1 4.1.5 7.	Cool Type <b>0% 9 None</b>	Insulation <b>1 Full</b>
2.2 5.1.75 8.	1.Central 4.W&C Air 7.	1.Full 4.Minimal 7.
3.3 6.2.5 9.	2.Evapor 5. 8.	2.Heavy 5. 8.
Exterior Walls <b>1 Clapboard</b>	3.H Pump 6. 9.None	3.Capped 6. 9.None
1.Clapboar 5.Stucco 9.B & B	Kitchen Style <b>2 Typical</b>	Unfinished % <b>0%</b>
2.Vin/Al 6.Brick 10.Cemplan	1.Modern 4.Obsolete	Grade & Factor <b>3 Average 110%</b>
3.Compos./ 7.Stone 11.Concret	2.Typical 5. 8.	1.E Grade 4.B Grade 7.SC Grade
4.Asbestos 8.Wood Shi 12.Wood Bo	3.Old Type 6. 9.None	2.D Grade 5.A Grade 8.
Roof Surface <b>1 Asphalt Shingles</b>	Bath(s) Style <b>2 Typical Bath(s)</b>	3.C Grade 6.AA Grade 9.Same
1.Asphalt 4.Composit 7.Other	1.Modern 4.Obsolete 7.	SQFT (Footprint) <b>900</b>
2.Slate 5.Wood 8.	2.Typical 5. 8.	Condition <b>5 Above Average</b>
3.Metal 6.Roll Roo 9.	3.Old Type 6. 9.None	1.Poor Avg 7.V G
SF Masonry Trim <b>0</b>	# Rooms <b>6</b>	2.Fair Avg 8.Exc
SOLAR VOLTAIC <b>0</b>	# Bedrooms <b>3</b>	3.Avg-Good 9.Same
OPEN-4- <b>0</b>	# Full Baths <b>1</b>	Phys. % Good <b>0%</b>
Year Built <b>1965</b>	# Half Baths <b>0</b>	Funct. % Good <b>100%</b>
Year Remodeled <b>0</b>	# Addn Fixtures <b>0</b>	Functional Code <b>9 None</b>
Foundation <b>1 Concrete</b>	# Fireplaces <b>0</b>	1.Incomp 4.Delap 9.Layoff
1.Concrete 4.Wood 7.		2.O-Built 5.Bsmt 8.Long term
2.C Block 5.Slab 8.		3.Damage 6.Style 9.None
3.Br/Stone 6.Piers 9.		Econ. % Good <b>100%</b>
Basement <b>4 Full Basement</b>		Economic Code <b>None</b>
1.1/4 Bmt 4.Full Bmt 7.		0.None 3.No Power 6.Obsolete
2.1/2 Bmt 5.CrwI 8.		1.Location 4.Generate 9.None
3.3/4 Bmt 6. 9.None		2.Encroach 5.Flood Pl 9.
Bsmt Gar # Cars <b>0</b>		Entrance Code <b>5 Estimated</b>
Wet Basement <b>1 Dry Basement</b>		1.Interior 4.Vacant 7.
1.Dry 4. 7.		2.Refusal 5.Estimate 8.
2.Damp 5. 8.		3.Informed 6. 9.
3.Wet 6. 9.		Information Code <b>5 Estimate</b>
		1.Owner 4.Agent 7.
		2.Relative 5.Estimate 8.
		3.Tenant 6.Other 9.



Date Inspected 5/24/2024

**Additions, Outbuildings & Improvements**

Type	Year	Units	Grade	Cond	Phys.	Funct.	Sound Value
21 Open Frame	0	28	0 0	0	0	% 100 %	
68 Wood Deck	0	24	0 0	0	0	% 100 %	
43 2S Frame Garage	1988	840	3 100	4	0	% 100 %	1.One Story Fram
24 Frame Shed	1990	96	3 100	4	0	% 100 %	2.Two Story Fram
						% %	3.Three Story Fr
						% %	4.1 & 1/2 Story
						% %	5.1 & 3/4 Story
						% %	6.2 & 1/2 Story
						% %	21.Open Frame Por
						% %	22.Encl Frame Por
						% %	23.Frame Garage
						% %	24.Frame Shed
						% %	25.Frame Bay Wind
						% %	26.1SFr Overhang
						% %	27.Unfin Basement
						% %	28.Unfinished Att
						% %	29.Finished Attic