

LINDNER, PAMELA B
164 CAMBELL SHORE RD
GRAY ME 04039

B37705P84

Previous Owner
EMERSON, ROBERT E
164 CAMBELL SHORE RD

GRAY ME 04039
Sale Date: 1/19/2021

Property Data			Assessment Record				
Neighborhood	5 Little Sebago		Year	Land	Buildings	Exempt	Total
Tree Growth Year	0		2011	20,345	0	0	20,345
REVIEW	0		2012	20,345	0	0	20,345
Building Permit	0		2013	20,345	0	0	20,345
Zone/Land Use	23 Lake District		2014	20,345	0	0	20,345
Secondary Zone			2015	20,300	0	0	20,300
Topography	1 Level		2016	20,300	0	0	20,300
1. Hill	4. Below St	7.	2017	20,300	0	0	20,300
2. Rolling	5. Low	8.	2018	20,300	0	0	20,300
3. Above St	6. Swampy	9.	2019	25,400	0	0	25,400
Utilities	4. Filled Well/Point 6 Septic System		2020	53,400	50,900	0	104,300
1. Public	4. Dug Well/Po	7. Cesspool	2021	88,600	238,600	0	327,200
2. Water	5. Dug Well	8. Lake	2022	88,900	238,600	0	327,500
3. Holding Ta	6. Septic	9. None	2023	88,900	274,800	0	363,700
Street	3 Gravel		Calc.	187,800	427,300	0	615,100
1. Paved	4. Proposed	8.					
2. Semi Imp	5. R/O/W	9.					
3. Gravel	6.						
GIS Map	48						
Field Review	0						

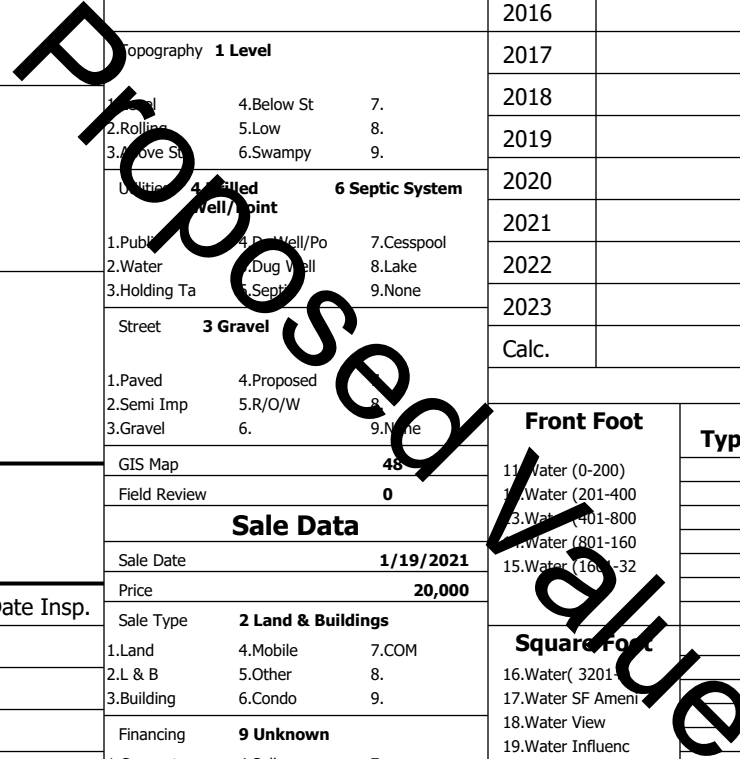
Land Data		Effective		Influence		Influence Codes
Type		Frontage	Depth	Factor	Code	
11. Water (0-200)				%		1. Unimproved
12. Water (201-400)				%		2. Excess Frtg
13. Water (401-800)				%		3. Topography
14. Water (801-1600)				%		4. Size/Shape
15. Water (1601-3200)				%		5. Access
				%		6. Restriction
				%		7. Open Space
				%		8. Environmental
				%		9. Condo
				%		30. Blueberry(1-20
				%		31. Blueberry(21 -
				%		32. Crop Land
				%		33. Pasture
				%		34. Shorefront B
				%		35. Shorefront C
				%		36. ANTENNA SITE
				%		37. Softwood TG
				%		38. Mixed Wood TG
				%		39. Hardwood TG
				%		40. Wasteland
				%		41. Woodland
				%		42. Mobile Home Si
				%		43. Camp Site
				%		44. Lot Improvemen
				%		45. BA SF - Oce
				%		46. SP Meadow Cond
Total Acreage		3.14				

Inspection Witnessed By:

X	Date
No./Date	Description
	Date Insp.

Notes:

Gray



Gray

Map Lot 048-302-009-000

Account 3395

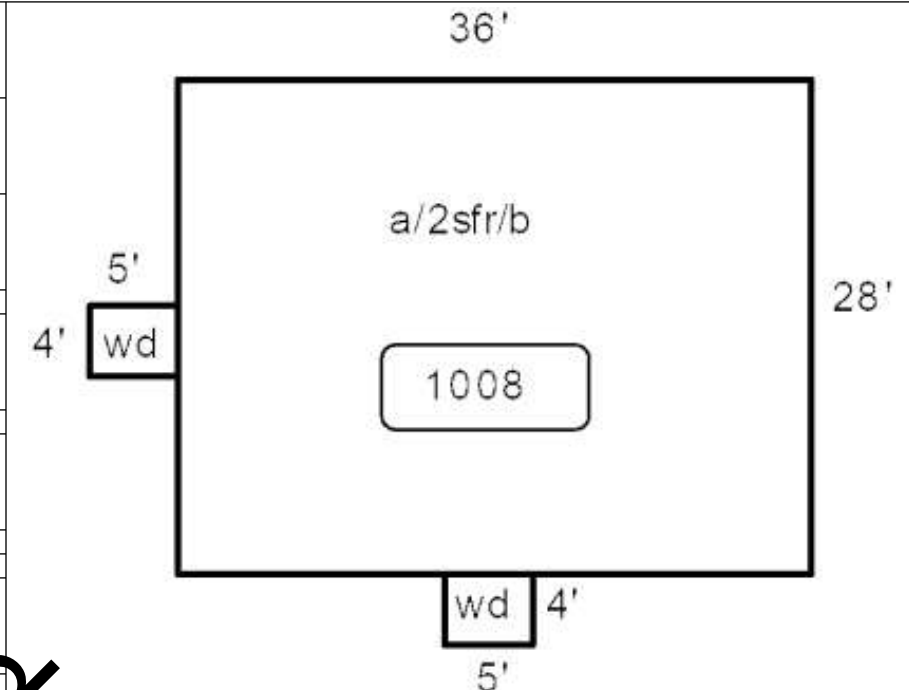
Location 28 LATIMER RD

Card 1

Of 1

8/05/2024

Building Style 10 Colonial	SF Bsmt Living 0	Layout 1 Typical
1.Conv. 5.Garrison 9.NE farm	Fin Bsmt Grade 0 0	1.Typical 4. 7.
2.Ranch 6.Split 10.Colonia	Secondary Heat 0	2.Inadeq 5. 8.
3.R Ranch/ 7.Contemp 11.Cottage	Heat Type 100% 1 Hot Water BB	3. 6. 9.
4.Cape 8.Log 12.Gambrel	1.HWBB 5.FWA 9.None	Attic 4 Full Finished
Dwelling Units 1	2.HWCI 6.Monitor 10.UNH2F	1.1/4 Fin 4.Full Fin 7.
Other Units 0	3.HWRF 7.Electric 11.Geother	2.1/2 Fin 5.F/Stair 8.
Stories 2 Two Story	4.Steam 8.F/Wall 12.Heat/Co	3.3/4 Fin 6. 9.None
1.1 4.1.5 7.	Cool Type 0% 9 None	Insulation 1 Full
2.2 5.1.75 8.	1.Central 4.W&C Air 7.	1.Full 4.Minimal 7.
3.3 6.2.5 9.	2.Evapor 5. 8.	2.Heavy 5. 8.
Exterior Walls 2 Vinyl/Aluminum	3.H Pump 6. 9.None	3.Capped 6. 9.None
1.Clapboard 5.Stucco 9.B & B	Kitchen Style 2 Typical	Unfinished % 0%
2.Vin/Al 6.Brick 10.Cemplan	1.Modern 4.Obsolete	Grade & Factor 4 Good 100%
3.Compos./ 7.Stone 11.Concret	2.Typical 5. 8.	1.E Grade 4.B Grade 7.SC Grade
4.Asbestos 8.Wood Shi 12.Wood Bo	3.Old Type 6. 9.None	2.D Grade 5.A Grade 8.
Roof Surface 1 Asphalt Shingles	Bath(s) Style 2 Typical Bath(s)	3.C Grade 6.AA Grade 9.Same
1.Asphalt 4.Composit 7.Other	1.Modern 4.Obsolete 7.	SQFT (Footprint) 1008
2.Slate 5.Wood 8.	2.Typical 5. 8.	Condition 5 Above Average
3.Metal 6.Roll Roo 9.	3.Old Type 6. 9.None	1.Poor 4.Avg 7.V G
SF Masonry Trim 0	# Rooms 8	2.Fair 3.Avg 8.Exc
SOLAR VOLTAIC 0	# Bedrooms 3	3.Avg- 4.Good 9.Same
OPEN-4- 0	# Full Baths 3	Phys. % Good 0%
Year Built 2020	# Half Baths 0	Funct. % Good 100%
Year Remodeled 0	# Addn Fixtures 1	Functional Code 9 None
Foundation 1 Concrete	# Fireplaces 0	1.Incomp 4.Delay 7.No Work
1.Concrete 4.Wood 7.		2.O-Built 5.Bsmt 8.Long term
2.C Block 5.Slab 8.		3.Damage 6.Style 9.None
3.Br/Stone 6.Piers 9.		Econ. % Good 100%
Basement 4 Full Basement		Economic Code None
1.1/4 Bmt 4.Full Bmt 7.		0.None 3.No Power 6.Obsolesc
2.1/2 Bmt 5.Crwl 8.		1.Location 4.Generate 9.None
3.3/4 Bmt 6. 9.None		2.Encroach 5.Flood Pl 9.
Bsmt Gar # Cars 0		Entrance Code 0
Wet Basement 1 Dry Basement		1.Interior 4.Vacant 7.
1.Dry 4. 7.		2.Refusal 5.Estimate 8.
2.Damp 5. 8.		3.Informed 6. 9.
3.Wet 6. 9.		Information Code 0
		1.Owner 4.Agent 7.
		2.Relative 5.Estimate 8.
		3.Tenant 6.Other 9.



Date Inspected

Additions, Outbuildings & Improvements

Type	Year	Units	Grade	Cond	Phys.	Funct.	Sound Value
68 Wood Deck	0	20	0 0	0	0	100 %	
68 Wood Deck	0	20	0 0	0	0	100 %	
						% %	
						% %	
						% %	
						% %	
						% %	
						% %	
						% %	
						% %	
						% %	
						% %	
						% %	
						% %	
						% %	
						% %	
						% %	
						% %	
						% %	
						% %	
						% %	
						% %	
						% %	
						% %	

Proposed Value

