

Gray

Map Lot 035-403-060-000

Account 4407

Location 22 LEWISTON RD

Card 1

Of 1

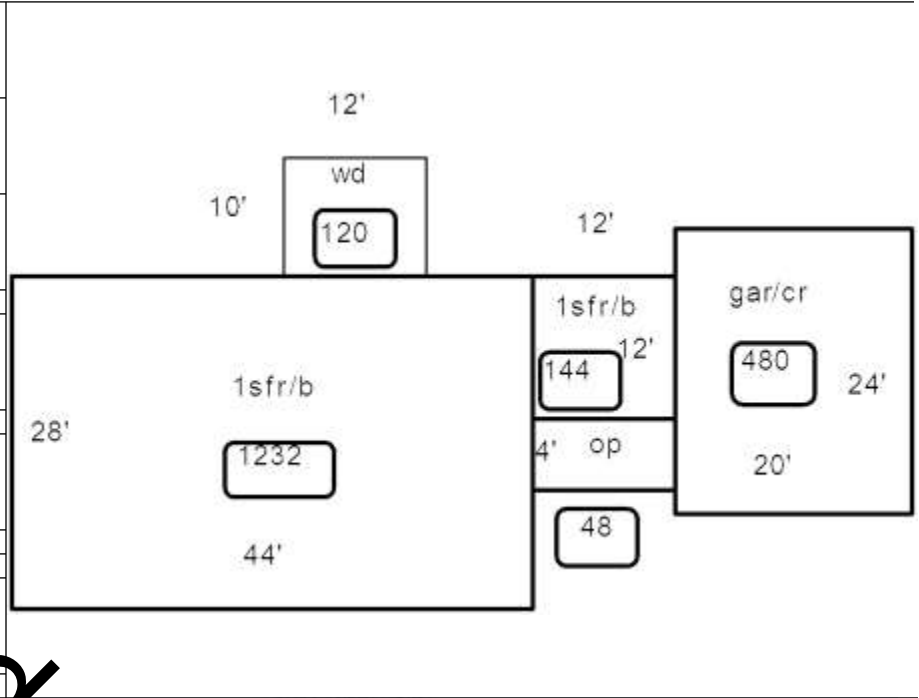
8/05/2024

Building Style 2 Ranch	SF Bsmt Living 0	Layout 1 Typical
1.Conv. 5.Garrison 9.NE farm	Fin Bsmt Grade 0 0	1.Typical 4. 7.
2.Ranch 6.Split 10.Colonia	Secondary Heat 0	2.Inadeq 5. 8.
3.R Ranch/ 7.Contemp 11.Cottage	Heat Type 100% 1 Hot Water BB	3. 6. 9.
4.Cape 8.Log 12.Gambrel	1.HWBB 5.FWA 9.None	Attic 9 None
Dwelling Units 1	2.HWCI 6.Monitor 10.UNH2F	1.1/4 Fin 4.Full Fin 7.
Other Units 0	3.HWRF 7.Electric 11.Geother	2.1/2 Fin 5.F/Stair 8.
Stories 1 One Story	4.Steam 8.F/Wall 12.Heat/Co	3.3/4 Fin 6. 9.None
1.1 4.1.5 7.	Cool Type 0% 9 None	Insulation 1 Full
2.2 5.1.75 8.	1.Central 4.W&C Air 7.	1.Full 4.Minimal 7.
3.3 6.2.5 9.	2.Evapor 5. 8.	2.Heavy 5. 8.
Exterior Walls 2 Vinyl/Aluminum	3.H Pump 6. 9.None	3.Capped 6. 9.None
1.Clapboard 5.Stucco 9.B & B	Kitchen Style 2 Typical	Unfinished % 0%
2.Vin/Al 6.Brick 10.Cemplan	1.Modern 4.Obsolete	Grade & Factor 3 Average 110%
3.Compos./ 7.Stone 11.Concret	2.Typical 5. 8.	1.E Grade 4.B Grade 7.SC Grade
4.Asbestos 8.Wood Shi 12.Wood Bo	3.Old Type 6. 9.None	2.C Grade 5.A Grade 8.
Roof Surface 1 Asphalt Shingles	Bath(s) Style 2 Typical Bath(s)	3.O Grade 6.AA Grade 9.Same
1.Asphalt 4.Composit 7.Other	1.Modern 4.Obsolete 7.	SQFT (Footprint) 1232
2.Slate 5.Wood 8.	2.Typical 5. 8.	Condition 4 Average
3.Metal 6.Roll Roo 9.	3.Old Type 6. 9.None	1.Poor Avg 7.V G
SF Masonry Trim 0	# Rooms 5	2.Fair Avg 8.Exc
SOLAR VOLTAIC 0	# Bedrooms 3	3.Avg- Good 9.Same
OPEN-4- 0	# Full Baths 2	Phys. % Good 0%
Year Built 2007	# Half Baths 0	Funct. % Good 100%
Year Remodeled 0	# Addn Fixtures 0	Functional Code 9 None
Foundation 1 Concrete	# Fireplaces 0	1.Incomp 4.Delap 9.No
1.Concrete 4.Wood 7.		2.O-Built 5.Bsmt 8.Long term
2.C Block 5.Slab 8.		3.Damage 6.Style None
3.Br/Stone 6.Piers 9.		Econ. % Good 100%
Basement 4 Full Basement		Economic Code None
1.1/4 Bmt 4.Full Bmt 7.		0.None 3.No Power 6.Obsolete
2.1/2 Bmt 5.Crw 8.		1.Location 4.Generate 9.None
3.3/4 Bmt 6. 9.None		2.Encroach 5.Flood Pl 9.
Bsmt Gar # Cars 0		Entrance Code 5 Estimated
Wet Basement 1 Dry Basement		1.Interior 4.Vacant 7.
1.Dry 4. 7.		2.Refusal 5.Estimate 8.
2.Damp 5. 8.		3.Informed 6. 9.
3.Wet 6. 9.		Information Code 5 Estimate
		1.Owner 4.Agent 7.
		2.Relative 5.Estimate 8.
		3.Tenant 6.Other 9.

Date Inspected 5/17/2024

Additions, Outbuildings & Improvements

Type	Year	Units	Grade	Cond	Phys.	Funct.	Sound Value
11 1 Story/Basement	0	144	0 0	0	0	0 %	100 %
21 Open Frame	0	48	0 0	0	0	0 %	100 %
23 Frame Garage	0	480	0 0	0	0	0 %	100 %
68 Wood Deck	0	120	0 0	0	0	0 %	100 %
24 Frame Shed	0	100	2 100	4	0	0 %	100 %
						%	%
						%	%
						%	%
						%	%
						%	%
						%	%
						%	%
						%	%
						%	%



Proposed Value