

MANCHESTER, KATIE J  
51 MEADOW LANE  
NEW GLOUCESTER ME 04260

B38532P156

Previous Owner  
WHITE, RICHARD L  
WHITE, CAROL L  
14 GRAY PARK  
GRAY ME 04039  
Sale Date: 8/11/2021

Inspection Witnessed By:

X \_\_\_\_\_ Date \_\_\_\_\_

No./Date	Description	Date Insp.

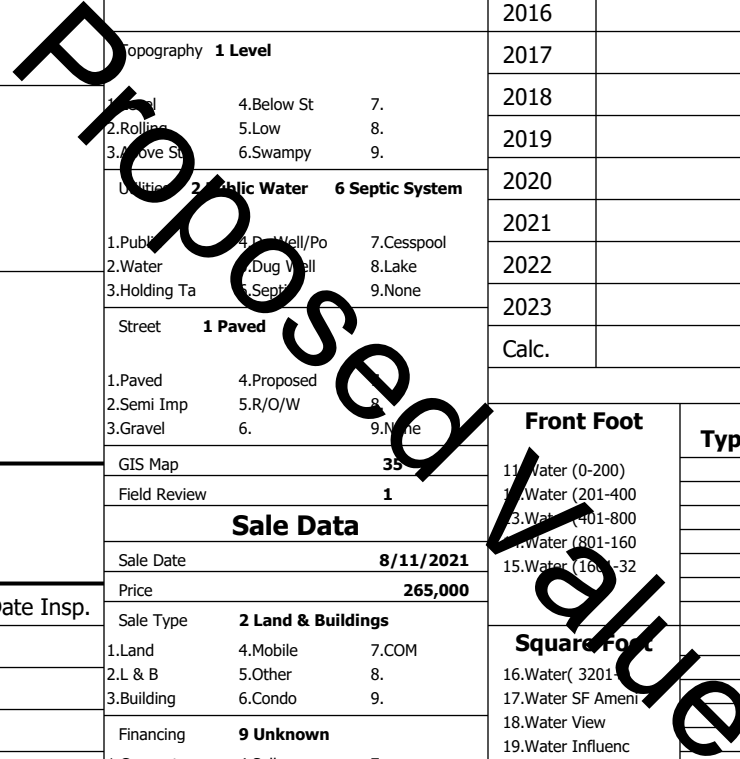
Notes:

Gray

Property Data		
Neighborhood	83 Avg-Good Location	
Tree Growth Year	0	
REVIEW	0	
Building Permit	0	
Zone/Land Use	22 Wellhead Protection II	
Secondary Zone	19 Village Center	
Topography	1 Level	
1. Soil	4. Below St	7.
2. Rolling	5. Low	8.
3. Above St	6. Swampy	9.
Utilities	2 Public Water 6 Septic System	
1. Public	4. Dr. Well/Po	7. Cesspool
2. Water	5. Dug Well	8. Lake
3. Holding Ta	6. Septic	9. None
Street	1 Paved	
1. Paved	4. Proposed	8.
2. Semi Imp	5. R/O/W	9.
3. Gravel	6.	9. None
GIS Map	35	
Field Review	1	
Sale Data		
Sale Date	8/11/2021	
Price	265,000	
Sale Type	2 Land & Buildings	
1. Land	4. Mobile	7. COM
2. L & B	5. Other	8.
3. Building	6. Condo	9.
Financing	9 Unknown	
1. Convent	4. Seller	7.
2. FHA/VA	5. Private	8.
3. Assumed	6. Cash	9. Unknown
Validity	1 Arms Length Sale	
1. Valid	4. Split	7. Multiple
2. Related	5. Partial	8. Other
3. Distress	6. Exempt	9. Estate
Verified	5 Public Record	
1. Buyer	4. Agent	7. Family
2. Seller	5. Pub Rec	8. Other
3. Lender	6. MLS	9.

Assessment Record				
Year	Land	Buildings	Exempt	Total
2011	53,000	146,164	13,600	185,564
2012	53,000	146,164	13,600	185,564
2013	53,000	146,164	13,600	185,564
2014	53,000	146,164	13,600	185,564
2015	53,000	146,200	14,400	184,800
2016	53,000	146,200	14,400	184,800
2017	53,000	146,200	18,900	180,300
2018	53,000	146,200	23,400	175,800
2019	65,500	204,500	26,000	244,000
2020	65,500	204,500	26,000	244,000
2021	65,500	204,500	31,000	239,000
2022	65,500	204,500	31,000	239,000
2023	65,500	231,700	0	297,200
Calc.	131,700	314,500	0	446,200

Land Data					
Type	Effective		Influence		Influence Codes
	Frontage	Depth	Factor	Code	
1. Water (0-200)			%		1. Unimproved
2. Water (201-400)			%		2. Excess Frtg
3. Water (401-800)			%		3. Topography
4. Water (801-1600)			%		4. Size/Shape
5. Water (1601-3200)			%		5. Access
6. Water (3201-6400)			%		6. Restriction
7. Water (6401-12800)			%		7. Open Space
8. Water (12801-25600)			%		8. Environmental
9. Water (25601-51200)			%		9. Condo
10. Water (51201-102400)			%		30. Blueberry(1-20
11. Water (102401-204800)			%		31. Blueberry(21 -
12. Water (204801-409600)			%		32. Crop Land
13. Water (409601-819200)			%		33. Pasture
14. Water (819201-1638400)			%		34. Shorefront B
15. Water (1638401-3276800)			%		35. Shorefront C
16. Water (3276801-6553600)			%		36. ANTENNA SITE
17. Water SF Amenities			%		37. Softwood TG
18. Water View			%		38. Mixed Wood TG
19. Water Influenced			%		39. Hardwood TG
20. ShoreFront A			%		40. Wasteland
21. Base Lot			%		41. Woodland
22. Base Lot Vacant			%		42. Mobile Home Si
23. Base Lot Unpaved			%		43. Camp Site
24. Acres to 10			%		44. Lot Improvemen
25. Acres 11-30			%		45. BA SF - Oce
26. Acres 31-50			%		46. SP Meadow Cond
27. Acres 51& over			%		
28. Acres 71 & Ove			%		
29. Woods (41+)			%		
<b>Total Acreage</b>			1.20		



**Gray**

Map Lot 035-403-021-000

Account 4375

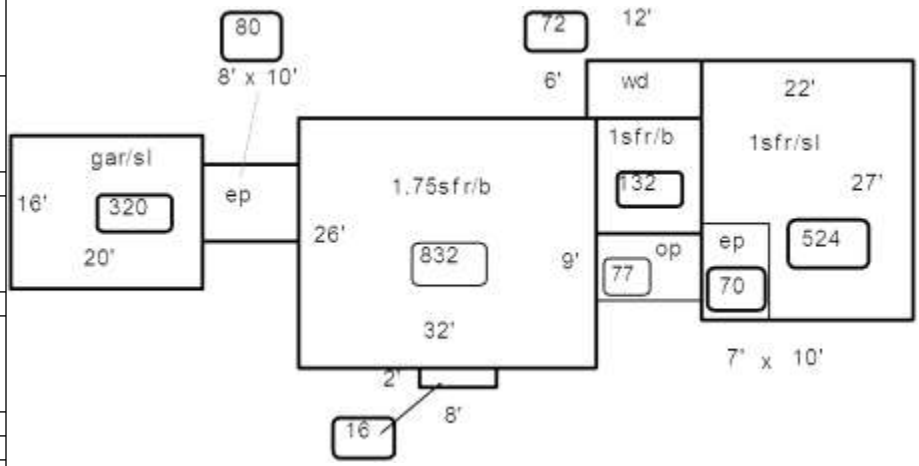
Location 14 GRAY PARK

Card 1

Of 1

8/05/2024

Building Style <b>4 Cape Cod</b>	SF Bsmt Living <b>0</b>	Layout <b>1 Typical</b>
1.Conv. 5.Garrison 9.NE farm	Fin Bsmt Grade <b>0 0</b>	1.Typical 4. 7.
2.Ranch 6.Split 10.Colonia	Secondary Heat <b>0</b>	2.Inadeq 5. 8.
3.R Ranch/ 7.Contemp 11.Cottage	Heat Type <b>100% 1 Hot Water BB</b>	3. 6. 9.
4.Cape 8.Log 12.Gambrel	1.HWBB 5.FWA 9.None	Attic <b>9 None</b>
Dwelling Units <b>1</b>	2.HWCI 6.Monitor 10.UNH2F	1.1/4 Fin 4.Full Fin 7.
Other Units <b>0</b>	3.HWRF 7.Electric 11.Geother	2.1/2 Fin 5.FI/Stair 8.
Stories <b>5 One &amp; 3/4 Story</b>	4.Steam 8.FI/Wall 12.Heat/Co	3.3/4 Fin 6. 9.None
1.1 4.1.5 7.	Cool Type <b>0% 9 None</b>	Insulation <b>1 Full</b>
2.2 5.1.75 8.	1.Central 4.W&C Air 7.	1.Full 4.Minimal 7.
3.3 6.2.5 9.	2.Evapor 5. 8.	2.Heavy 5. 8.
Exterior Walls <b>8 Wood Shingle</b>	3.H Pump 6. 9.None	3.Capped 6. 9.None
1.Clapboa 5.Stucco 9.B & B	Kitchen Style <b>2 Typical</b>	Unfinished % <b>0%</b>
2.Vin/Al 6.Brick 10.Cemplan	1.Modern 4.Obsolete	Grade & Factor <b>3 Average 110%</b>
3.Compos./ 7.Stone 11.Concret	2.Typical 5. 8.	1.E Grade 4.B Grade 7.SC Grade
4.Asbestos 8.Wood Shi 12.Wood Bo	3.Old Type 6. 9.None	2.C Grade 5.A Grade 8.
Roof Surface <b>1 Asphalt Shingles</b>	Bath(s) Style <b>2 Typical Bath(s)</b>	3.C Grade 6.AA Grade 9.Same
1.Asphalt 4.Composit 7.Other	1.Modern 4.Obsolete 7.	SQFT (Footprint) <b>832</b>
2.Slate 5.Wood 8.	2.Typical 5. 8.	Foundation <b>4 Average</b>
3.Metal 6.Roll Roo 9.	3.Old Type 6. 9.None	1.Poor 2.Avg 7.V G
SF Masonry Trim <b>0</b>	# Rooms <b>7</b>	2.Fair 3.Good 8.Exc
SOLAR VOLTAIC <b>0</b>	# Bedrooms <b>4</b>	3.Avg- 4.Good 9.Same
OPEN-4- <b>0</b>	# Full Baths <b>2</b>	Phys. % Good <b>0%</b>
Year Built <b>1963</b>	# Half Baths <b>1</b>	Funct. % Good <b>100%</b>
Year Remodeled <b>0</b>	# Addn Fixtures <b>1</b>	Functional Code <b>9 None</b>
Foundation <b>1 Concrete</b>	# Fireplaces <b>2</b>	1.Incomp 4.Delap 5.Playoff
1.Concrete 4.Wood 7.		2.O-Built 5.Bsmt 6.Long term
2.C Block 5.Slab 8.		3.Damage 6.Style None
3.Br/Stone 6.Piers 9.		Econ. % Good <b>100%</b>
Basement <b>4 Full Basement</b>		Economic Code <b>None</b>
1.1/4 Bmt 4.Full Bmt 7.		0.None 3.No Power 6.Obsolete
2.1/2 Bmt 5.Crwl 8.		1.Location 4.Generate 9.None
3.3/4 Bmt 6. 9.None		2.Encroach 5.Flood Pl 9.
Bsmt Gar # Cars <b>0</b>		Entrance Code <b>5 Estimated</b>
Wet Basement <b>1 Dry Basement</b>		1.Interior 4.Vacant 7.
1.Dry 4. 7.		2.Refusal 5.Estimate 8.
2.Damp 5. 8.		3.Informed 6. 9.
3.Wet 6. 9.		Information Code <b>5 Estimate</b>
		1.Owner 4.Agent 7.
		2.Relative 5.Estimate 8.
		3.Tenant 6.Other 9.



Date Inspected 5/17/2024

Additions, Outbuildings & Improvements							
Type	Year	Units	Grade	Cond	Phys.	Funct.	Sound Value
1 One Story Frame	2003	524	3 100	0	0 %	100 %	
22 Encl Frame Porch	0	80	0 0	0	0 %	100 %	
21 Open Frame	0	77	0 0	0	0 %	100 %	
11 1 Story/Basement	0	132	0 0	0	0 %	100 %	
68 Wood Deck	2003	72	3 100	4	0 %	100 %	
22 Encl Frame Porch	0	80	0 0	0	0 %	100 %	
23 Frame Garage	0	320	2 100	0	0 %	100 %	
22 Encl Frame Porch	0	16	0 0	0	0 %	0 %	
					%	%	
					%	%	

