

KASERMAN, KEVIN C
57 VERANDA ST
PORTLAND ME 04103

B12683P42

Property Data			Assessment Record				
Neighborhood	5 Little Sebago		Year	Land	Buildings	Exempt	Total
Tree Growth Year	0		2011	158,306	45,856	0	204,162
REVIEW	0		2012	158,306	45,856	0	204,162
Building Permit	0		2013	158,306	45,856	0	204,162
Zone/Land Use	12 Limited Residential		2014	158,306	45,856	0	204,162
Secondary Zone			2015	158,300	45,900	0	204,200
Topography	2 Rolling	4 Below Street	2017	158,300	52,200	0	210,500
1. Hill	4. Below St	7.	2018	158,300	52,200	0	210,500
2. Rolling	5. Low	8.	2019	359,800	85,500	0	445,300
3. Above St	6. Swampy	9.	2020	359,800	85,500	0	445,300
Utilities	8. No Water	6 Septic System	2021	359,800	85,500	0	445,300
1. Public	4. Dr. Well/Po	7. Cesspool	2022	359,800	85,500	0	445,300
2. Water	5. Dug Well	8. Lake	2023	359,800	107,300	0	467,100
3. Holding Ta	6. Septic	9. None	Calc.	719,500	123,600	0	843,100

Land Data					
Type	Effective		Influence		Influence Codes
	Frontage	Depth	Factor	Code	
11. Water (0-200)	150	000	120 %	8	1. Unimproved
12. Water (201-400)			%		2. Excess Frtg
13. Water (401-800)			%		3. Topography
14. Water (801-1600)			%		4. Size/Shape
15. Water (1601-3200)			%		5. Access
			%		6. Restriction
			%		7. Open Space
			%		8. Environmental
			%		9. Condo
			%		30. Blueberry(1-20
			%		31. Blueberry(21 -
			%		32. Crop Land
			%		33. Pasture
			%		34. Shorefront B
			%		35. Shorefront C
			%		36. ANTENNA SITE
			%		37. Softwood TG
			%		38. Mixed Wood TG
			%		39. Hardwood TG
			%		40. Wasteland
			%		41. Woodland
			%		42. Mobile Home Si
			%		43. Camp Site
			%		44. Lot Improvemen
			%		45. BA SF - Oce
			%		46. SP Meadow Cond
Total Acreage			0.17		

Inspection Witnessed By:

X	Date	Description	Date Insp.

Notes:

Sale Data		
Sale Date	8/22/1996	
Price		
Sale Type		
1. Land	4. Mobile	7. COM
2. L & B	5. Other	8.
3. Building	6. Condo	9.
Financing		
1. Convent	4. Seller	7.
2. FHA/VA	5. Private	8.
3. Assumed	6. Cash	9. Unknown
Validity		
1. Valid	4. Split	7. Multiple
2. Related	5. Partial	8. Other
3. Distress	6. Exempt	9. Estate
Verified		
1. Buyer	4. Agent	7. Family
2. Seller	5. Pub Rec	8. Other
3. Lender	6. MLS	9.

Gray

Gray

Map Lot 018-307-026-000

Account 3714

Location 134 BIRCHWOOD RD

Card 1 Of 1

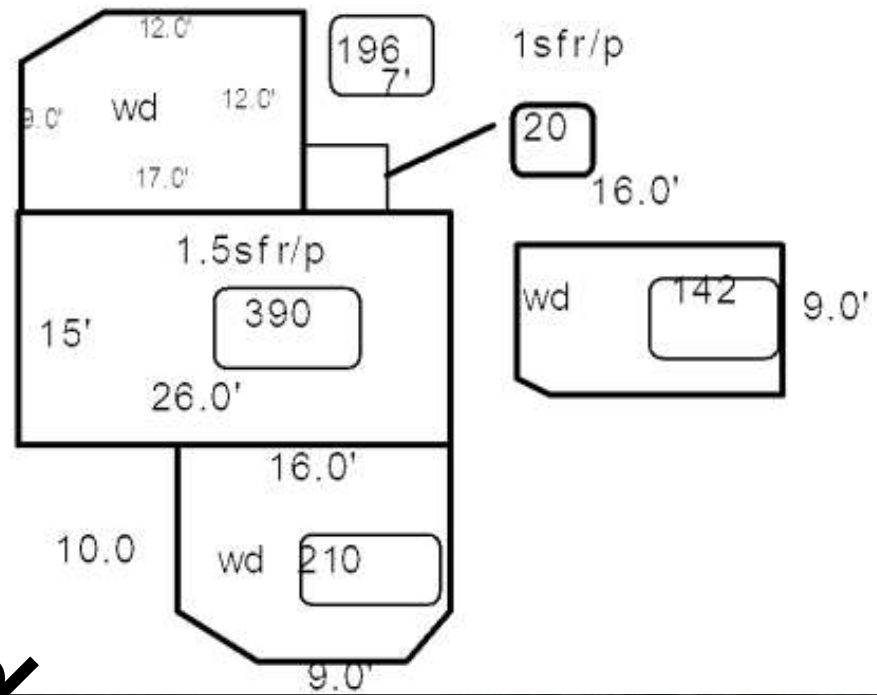
8/05/2024

Building Style 11 Cottage/Camp	SF Bsmt Living 0	Layout 1 Typical
1.Conv. 5.Garrison 9.NE farm	Fin Bsmt Grade 0 0	1.Typical 4. 7.
2.Ranch 6.Split 10.Colonia	Secondary Heat 0	2.Inadeq 5. 8.
3.R Ranch/ 7.Contemp 11.Cottage	Heat Type 100% 6 Monitor	3. 6. 9.
4.Cape 8.Log 12.Gambrel	1.HWBB 5.FWA 9.None	Attic 9 None
Dwelling Units 1	2.HWCI 6.Monitor 10.UNH2F	1.1/4 Fin 4.Full Fin 7.
Other Units 0	3.HWRF 7.Electric 11.Geother	2.1/2 Fin 5.F/Stair 8.
Stories 5 One & 3/4 Story	4.Steam 8.F/Wall 12.Heat/Co	3.3/4 Fin 6. 9.None
1.1 4.1.5 7.	Cool Type 0% 3 Heat Pump	Insulation 3 Capped Only
2.2 5.1.75 8.	1.Central 4.W&C Air 7.	1.Full 4.Minimal 7.
3.3 6.2.5 9.	2.Evapor 5. 8.	2.Heavy 5. 8.
Exterior Walls 1 Clapboard	3.H Pump 6. 9.None	3.Capped 6. 9.None
1.Clapboa 5.Stucco 9.B & B	Kitchen Style 2 Typical	Unfinished % 0%
2.Vin/Al 6.Brick 10.Cemplan	1.Modern 4.Obsolete	Grade & Factor 3 Average 100%
3.Compos./ 7.Stone 11.Concret	2.Typical 5. 8.	1.E Grade 4.B Grade 7.SC Grade
4.Asbestos 8.Wood Shi 12.Wood Bo	3.Old Type 6. 9.None	2.D Grade 5.A Grade 8.
Roof Surface 1 Asphalt Shingles	Bath(s) Style 2 Typical Bath(s)	3.E Grade 6.AA Grade 9.Same
1.Asphalt 4.Composit 7.Other	1.Modern 4.Obsolete 7.	SQFT (Footprint) 390
2.Slate 5.Wood 8.	2.Typical 5. 8.	Condition Very Good
3.Metal 6.Roll Roo 9.	3.Old Type 6. 9.None	1.Poor Avg 7.V G
SF Masonry Trim 0	# Rooms 4	2.Fair Avg 8.Exc
SOLAR VOLTAIC 0	# Bedrooms 2	3.Avg- Good 9.Same
OPEN-4- 0	# Full Baths 1	Phys. % Good 0%
Year Built 1970	# Half Baths 0	Funct. % Good 100%
Year Remodeled 2010	# Addn Fixtures 1	Functional Code 9 None
Foundation 6 Piers	# Fireplaces 0	1.Incomp 4.Delap 9.No
1.Concrete 4.Wood 7.		2.O-Built 5.Bsmt 8.Long term
2.C Block 5.Slab 8.		3.Damage 6.Style 9.None
3.Br/Stone 6.Piers 9.		Econ. % Good 100%
Basement 9 No Basement		Economic Code None
1.1/4 Bmt 4.Full Bmt 7.		0.None 3.No Power 6.Obsolete
2.1/2 Bmt 5.Crwl 8.		1.Location 4.Generate 9.None
3.3/4 Bmt 6. 9.None		2.Encroach 5.Flood Pl 9.
Bsmt Gar # Cars 0		Entrance Code 5 Estimated
Wet Basement 9 No Basement		1.Interior 4.Vacant 7.
1.Dry 4. 7.		2.Refusal 5.Estimate 8.
2.Damp 5. 8.		3.Informed 6. 9.
3.Wet 6. 9.		Information Code 5 Estimate
		1.Owner 4.Agent 7.
		2.Relative 5.Estimate 8.
		3.Tenant 6.Other 9.

Date Inspected 9/10/2015

Additions, Outbuildings & Improvements

Type	Year	Units	Grade	Cond	Phys.	Funct.	Sound Value
68 Wood Deck	0	196	0 0	0	0	% 100 %	
68 Wood Deck	0	210	0 0	0	0	% 100 %	
68 Wood Deck	0	142	0 0	0	0	% 100 %	
1 One Story Frame	0	20	0 0	0	0	% 100 %	
24 Frame Shed	0	32	2 100	4	0	% 100 %	
						% %	
						% %	
						% %	
						% %	
						% %	
						% %	
						% %	
						% %	



Value