

COSTE, TIMOTHY L  
15 SHAW BROOK LANE  
GRAY ME 04039

B39727P205

Previous Owner  
FAUNCE, CAROL A  
C/O DAVID FAUNCE  
21 HIGHLANDS RIDGE TRAIL  
RUTHERFORDTON NC 28139  
Sale Date: 9/20/2022

Inspection Witnessed By:

X Date

No./Date	Description	Date Insp.

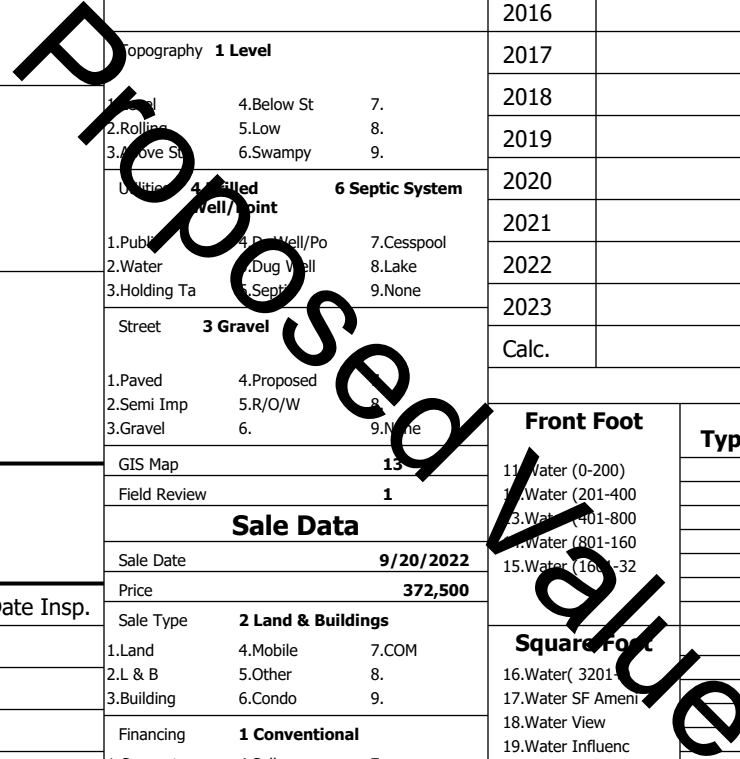
Notes:  
5/24- DR FIELD REVIEW

Gray

Property Data		
Neighborhood	82 Average Location	
Tree Growth Year	0	
REVIEW	0	
Building Permit	0	
Zone/Land Use	11 Rural Residential & Agri	
Secondary Zone		
Topography	1 Level	
1. Hill	4. Below St	7.
2. Rolling	5. Low	8.
3. Above St	6. Swampy	9.
Utilities	4. Filled Well/Point 6 Septic System	
1. Public	4. Driv Well/Po	7. Cesspool
2. Water	5. Dug Well	8. Lake
3. Holding Ta	6. Septic	9. None
Street	3 Gravel	
1. Paved	4. Proposed	8.
2. Semi Imp	5. R/O/W	9.
3. Gravel	6.	9. None
GIS Map	15	
Field Review	1	
Sale Data		
Sale Date	9/20/2022	
Price	372,500	
Sale Type	2 Land & Buildings	
1. Land	4. Mobile	7. COM
2. L & B	5. Other	8.
3. Building	6. Condo	9.
Financing	1 Conventional	
1. Convent	4. Seller	7.
2. FHA/VA	5. Private	8.
3. Assumed	6. Cash	9. Unknown
Validity	1 Arms Length Sale	
1. Valid	4. Split	7. Multiple
2. Related	5. Partial	8. Other
3. Distress	6. Exempt	9. Estate
Verified	5 Public Record	
1. Buyer	4. Agent	7. Family
2. Seller	5. Pub Rec	8. Other
3. Lender	6. MLS	9.

Assessment Record				
Year	Land	Buildings	Exempt	Total
2011	49,140	153,280	8,500	193,920
2012	49,140	153,280	8,500	193,920
2013	49,140	153,280	8,500	193,920
2014	49,140	155,252	8,500	195,892
2015	12,000	155,300	9,000	158,300
2016	49,100	155,300	9,000	195,400
2017	49,100	161,100	13,500	196,700
2018	49,100	161,100	18,000	192,200
2019	61,900	204,800	20,000	246,700
2020	61,900	204,800	20,000	246,700
2021	61,900	204,800	25,000	241,700
2022	61,900	204,800	0	266,700
2023	61,900	236,300	0	298,200
Calc.	133,800	364,100	0	497,900

Land Data					
Type	Effective		Influence		Influence Codes
	Frontage	Depth	Factor	Code	
1. Water (0-200)			%		1. Unimproved
2. Water (201-400)			%		2. Excess Frtg
3. Water (401-800)			%		3. Topography
4. Water (801-1600)			%		4. Size/Shape
5. Water (1601-3200)			%		5. Access
6. Water (3201-6400)			%		6. Restriction
7. Water (6401-12800)			%		7. Open Space
8. Water (12801-25600)			%		8. Environmental
9. Water (25601-51200)			%		9. Condo
10. Water (51201-102400)			%		30. Blueberry(1-20
11. Water (102401-204800)			%		31. Blueberry(21 -
12. Water (204801-409600)			%		32. Crop Land
13. Water (409601-819200)			%		33. Pasture
14. Water (819201-1638400)			%		34. Shorefront B
15. Water (1638401-3276800)			%		35. Shorefront C
16. Water (3276801-6553600)			%		36. ANTENNA SITE
17. Water SF Amenities			%		37. Softwood TG
18. Water View			%		38. Mixed Wood TG
19. Water Influenc			%		39. Hardwood TG
20. ShoreFront A			%		40. Wasteland
21. Base Lot			%		41. Woodland
22. Base Lot Vacan			%		42. Mobile Home Si
23. Base Lot Unpav			%		43. Camp Site
24. Acres to 10			%		44. Lot Improvemen
25. Acres 11-30			%		45. BA SF - Oce
26. Acres 31-50			%		46. SP Meadow Cond
27. Acres 51& over			%		
28. Acres 71 & Ove			%		
29. Woods (41+)			%		
Total Acreage			4.14		



**Gray**

Map Lot 013-015-026-001

Account 639

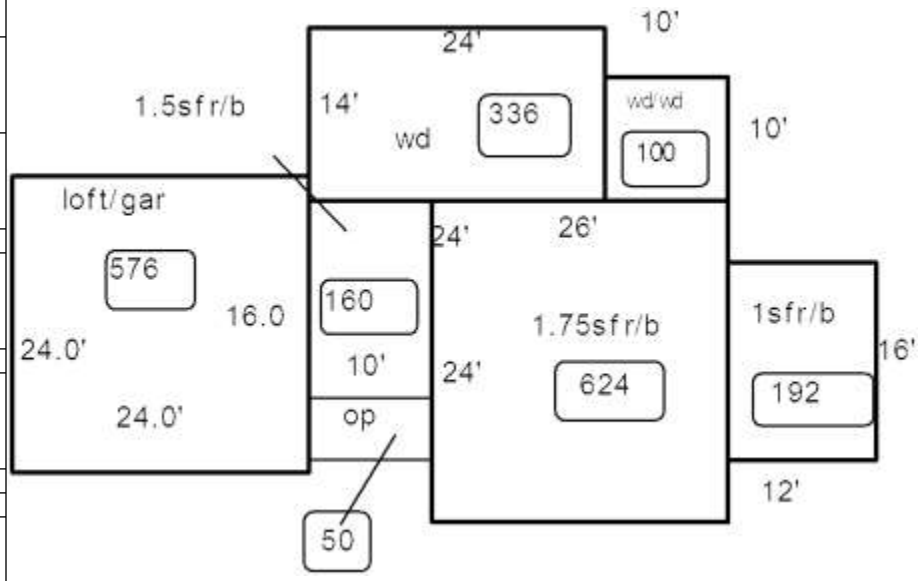
Location 15 SHAW BROOK LN

Card 1

Of 1

8/05/2024

Building Style <b>4 Cape Cod</b>	SF Bsmt Living <b>0</b>	Layout <b>1 Typical</b>
1.Conv. 5.Garrison 9.NE farm	Fin Bsmt Grade <b>0 0</b>	1.Typical 4. 7.
2.Ranch 6.Split 10.Colonia	Secondary Heat <b>0</b>	2.Inadeq 5. 8.
3.R Ranch/ 7.Contemp 11.Cottage	Heat Type <b>100% 1 Hot Water BB</b>	3. 6. 9.
4.Cape 8.Log 12.Gambrel	1.HWBB 5.FWA 9.None	Attic <b>9 None</b>
Dwelling Units <b>1</b>	2.HWCI 6.Monitor 10.UNH2F	1.1/4 Fin 4.Full Fin 7.
Other Units <b>0</b>	3.HWRF 7.Electric 11.Geother	2.1/2 Fin 5.F/Stair 8.
Stories <b>5 One &amp; 3/4 Story</b>	4.Steam 8.F/Wall 12.Heat/Co	3.3/4 Fin 6. 9.None
1.1 4.1.5 7.	Cool Type <b>0% 9 None</b>	Insulation <b>1 Full</b>
2.2 5.1.75 8.	1.Central 4.W&C Air 7.	1.Full 4.Minimal 7.
3.3 6.2.5 9.	2.Evapor 5. 8.	2.Heavy 5. 8.
Exterior Walls <b>2 Vinyl/Aluminum</b>	3.H Pump 6. 9.None	3.Capped 6. 9.None
1.Clapboard 5.Stucco 9.B & B	Kitchen Style <b>2 Typical</b>	Unfinished % <b>0%</b>
2.Vin/Al 6.Brick 10.Cemplan	1.Modern 4.Obsolete	Grade & Factor <b>3 Average 120%</b>
3.Compos./ 7.Stone 11.Concret	2.Typical 5. 8.	1.E Grade 4.B Grade 7.SC Grade
4.Asbestos 8.Wood Shi 12.Wood Bo	3.Old Type 6. 9.None	2.D Grade 5.A Grade 8.
Roof Surface <b>1 Asphalt Shingles</b>	Bath(s) Style <b>2 Typical Bath(s)</b>	3.C Grade 6.AA Grade 9.Same
1.Asphalt 4.Composit 7.Other	1.Modern 4.Obsolete 7.	SQFT (Footprint) <b>624</b>
2.Slate 5.Wood 8.	2.Typical 5. 8.	Condition <b>4 Average</b>
3.Metal 6.Roll Roo 9.	3.Old Type 6. 9.None	1.Poor 2.Avg 7.V G
SF Masonry Trim <b>0</b>	# Rooms <b>6</b>	2.Fair 3.Good 8.Exc
SOLAR VOLTAIC <b>0</b>	# Bedrooms <b>2</b>	3.Avg- 4.Good 9.Same
OPEN-4- <b>0</b>	# Full Baths <b>1</b>	Phys. % Good <b>0%</b>
Year Built <b>2003</b>	# Half Baths <b>1</b>	Funct. % Good <b>100%</b>
Year Remodeled <b>0</b>	# Addn Fixtures <b>0</b>	Functional Code <b>9 None</b>
Foundation <b>1 Concrete</b>	# Fireplaces <b>1</b>	1.Incomp 4.Delap 5.Delay
1.Concrete 4.Wood 7.		2.O-Built 5.Bsmt 6.Long term
2.C Block 5.Slab 8.		3.Damage 6.Style 9.None
3.Br/Stone 6.Piers 9.		Econ. % Good <b>100%</b>
Basement <b>4 Full Basement</b>		Economic Code <b>None</b>
1.1/4 Bmt 4.Full Bmt 7.		0.None 3.No Power 6.Obsoles
2.1/2 Bmt 5.Crwl 8.		1.Location 4.Generate 9.None
3.3/4 Bmt 6. 9.None		2.Encroach 5.Flood Pl 9.
Bsmt Gar # Cars <b>0</b>		Entrance Code <b>5 Estimated</b>
Wet Basement <b>1 Dry Basement</b>		1.Interior 4.Vacant 7.
1.Dry 4. 7.		2.Refusal 5.Estimate 8.
2.Damp 5. 8.		3.Informed 6. 9.
3.Wet 6. 9.		Information Code <b>5 Estimate</b>
		1.Owner 4.Agent 7.
		2.Relative 5.Estimate 8.
		3.Tenant 6.Other 9.



Date Inspected 5/16/2024

Additions, Outbuildings & Improvements							
Type	Year	Units	Grade	Cond	Phys.	Funct.	Sound Value
11 1 Story/Basement	0	192	0 0	0	0	% 100 %	
14 1.5	0	160	0 0	0	0	% 100 %	
21 Open Frame	0	50	0 0	0	0	% 100 %	
68 Wood Deck	2012	336	0 0	0	0	% 100 %	
73 1.25 St Garage	0	576	0 0	0	0	% 100 %	
68 Wood Deck	2012	100	0 0	0	0	% 100 %	
68 Wood Deck	2012	100	0 0	0	0	% 100 %	
					%	%	
					%	%	
					%	%	



Proposed Value